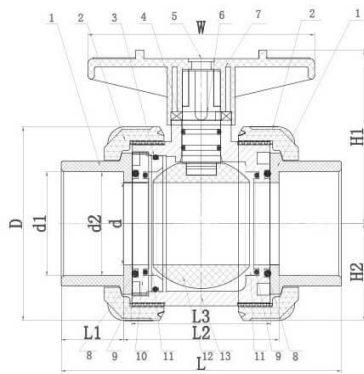


CPVC True Union Ball Valve from Factory

Part Material:

NO.	PART	MATERIAL	QTY	Unit
3\4\8\9	ORING	EPDM/VITON	7	pcs
1	UNION END	UPVC/CPVC/PPH/PVDF	2	pcs
2	UNION NUT	UPVC/CPVC/PPH/PVDF	2	pcs
5	CAP	ABS	1	pc
6	STEM	UPVC/CPVC/PPH/PVDF	1	pc
7	HANDLE	ABS	1	pc
10	SEAL CARRIER	UPVC/CPVC/PPH/PVDF	1	pc
11	SEAT	PTFE	2	pcs
12	BALL	UPVC/CPVC/PPH/PVDF	1	pc
13	BODY	UPVC/CPVC/PPH/PVDF	1	pc



Dimensions:

SIZE	d	D1				D2			
		ANSI	DIN	JIS	CNS	ANSI	DIN	JIS	CNS
1/2" (15)	15	21.4	20.25	22.3	22.4	21.25	20.05	21.85	21.9
3/4" (20)	20	26.75	25.25	26.3	26.4	26.58	25.05	25.85	25.9
1" (25)	25	33.52	32.25	32.33	34.5	33.28	32.05	31.85	33.9
1-1/4" (32)	32	42.28	40.25	38.43	42.5	42.05	40.05	37.85	41.9
1-1/2" (40)	40	48.4	50.25	48.48	48.6	48.12	50.05	47.75	47.9
2" (50)	50	60.45	63.25	60.56	60.6	60.18	63.05	59.75	59.9
2-1/2" (65)	63	73.3	75.25	76.6	76.7	72.85	75.05	75.87	75.9
3" (80)	75	89.25	90.35	89.6	89.7	88.7	90.05	88.83	88.9
4" (100)	90	114.6	110.4	114.7	115	114.1	110.1	114	113.8

SIZE	D	L	L1	L2	L3	W	H1	H2	F	M	I	Operating torque (N.M)
1/2" (15)	54	106	23	60	52	84	52.5	27.5	31	—	M6	2
3/4" (20)	63	114	26	62	54	90	59	32	33	—	M6	2.5
1" (25)	73.5	128	29	70	62	106	67.5	37.3	40	—	M6	4
1-1/4" (32)	84.5	144	33	78	70	116	77.5	42.8	52	—	M8	5
1-1/2" (40)	98	159	35.5	87.5	79.5	128	90	50	52	—	M8	7.5
2" (50)	118	172	38.5	95	85	140	106	60	70	—	M8	8.5
2-1/2" (65)	150	278	64.5	145	133	198	137	76.5	84	45	M10	13
3" (80)	169	310	70	166	150	218	150	86	84	45	M10	16
4" (100)	190	352	84	181	157	235	166	98	121	49	M12	25

Professional supplier of pipeline valve system

SALVADOR INDUSTRIAL CO., LIMITED

503 ROOM, NO.1 BUILDING, 568 SI MING EAST ROAD, NINGBO, ZHEJIANG, CHINA

TEL: 86-574-88324025 FAX: 86-574-88324025 E-mail: sales01@swdplastic.com

WWW.ECODEXVALVES.COM

WWW.ECODEXVALVES.COM

CPVC True Union Ball Valve from Factory